



US00D708649S

(12) **United States Design Patent**  
**Rollenhagen et al.**

(10) **Patent No.:** **US D708,649 S**

(45) **Date of Patent:** **\*\* Jul. 8, 2014**

(54) **BULK SEED TANK**

(71) Applicant: **Kinze Manufacturing, Inc.**,  
Williamsburg, IA (US)

(72) Inventors: **Trevor Rollenhagen**, North Liberty, IA  
(US); **Susanne Veatch**, Iowa City, IA  
(US); **Luc Van Herle**, North Liberty, IA  
(US); **Rhett Schildroth**, North Liberty,  
IA (US)

(73) Assignee: **Kinze Manufacturing, Inc.**,  
Williamsburg, IA (US)

(\*\*) Term: **14 Years**

(21) Appl. No.: **29/451,446**

(22) Filed: **Apr. 2, 2013**

(51) **LOC (10) Cl.** ..... **15-03**

(52) **U.S. Cl.**  
USPC ..... **D15/28**

(58) **Field of Classification Search**  
USPC ..... D15/10, 13-17, 28, 21, 27; D12/218;  
D23/200, 202, 213; 414/725, 912;  
37/442, 403; 111/118; 137/544;  
220/587, 565, 567.1; 210/532.2;  
123/563; 222/185.1, 608; 239/683,  
239/687, 72, 289, 722

See application file for complete search history.

(56) **References Cited**

U.S. PATENT DOCUMENTS

D335,293 S *	5/1993	Pingry et al.	D15/28
7,578,247 B2 *	8/2009	Horn	111/200
8,215,413 B2 *	7/2012	Friggstad	172/452
2003/0110999 A1 *	6/2003	Meyer et al.	111/63
2009/0000534 A1 *	1/2009	Horn	111/200
2009/0178600 A1 *	7/2009	Horn et al.	111/52
2010/0025056 A1 *	2/2010	Friggstad	172/452
2010/0126744 A1 *	5/2010	Poole	172/311

\* cited by examiner

*Primary Examiner* — Mark Goodwin

(74) *Attorney, Agent, or Firm* — McKee, Voorhees & Sease

(57) **CLAIM**

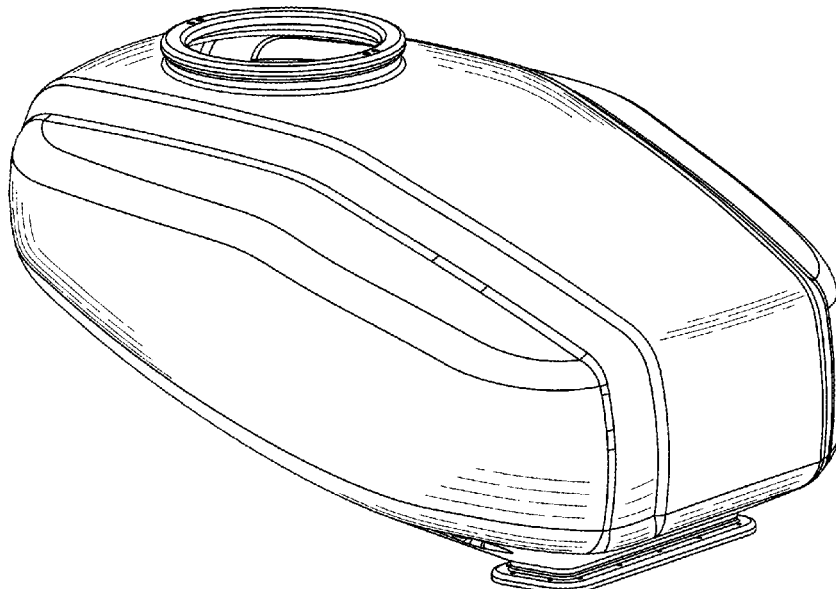
We claim the ornamental design for a bulk seed tank, substantially as shown and described.

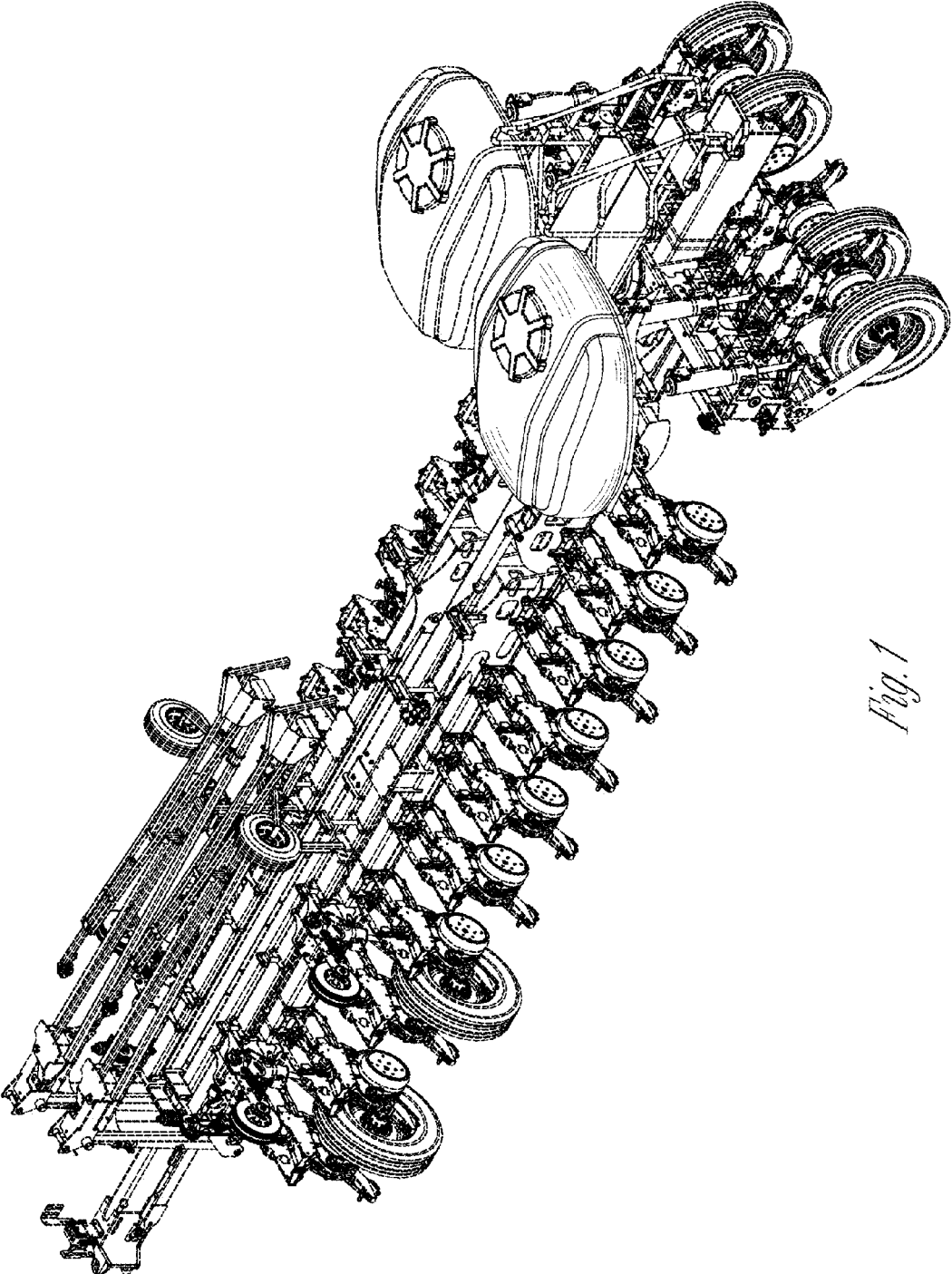
**DESCRIPTION**

FIG. 1 is a perspective view of a bulk seed tank according to the present invention;  
FIG. 2 is a perspective elevation view of the bulk seed tank;  
FIG. 3 is a front elevation view thereof;  
FIG. 4 is a rear elevation view thereof;  
FIG. 5 is a right side elevation view thereof;  
FIG. 6 is a left side elevation view thereof;  
FIG. 7 is a top plan view thereof; and,  
FIG. 8 is a bottom plan view thereof.

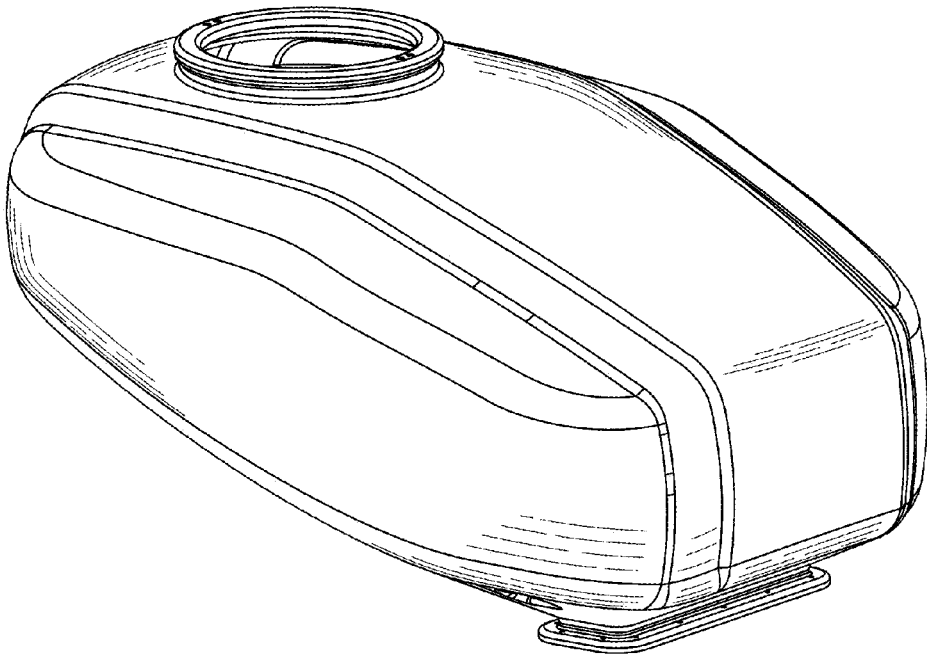
Applicants make no claim to the structure shown in broken lines in the drawings. Furthermore, Applicants note that the markings on the figures are for shading purposes only, and are not to be considered a part of the design of the present invention.

**1 Claim, 6 Drawing Sheets**

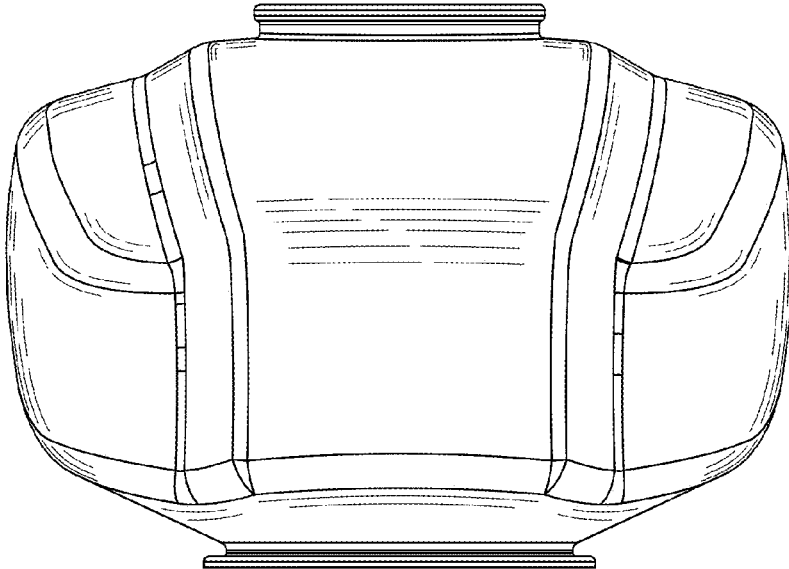




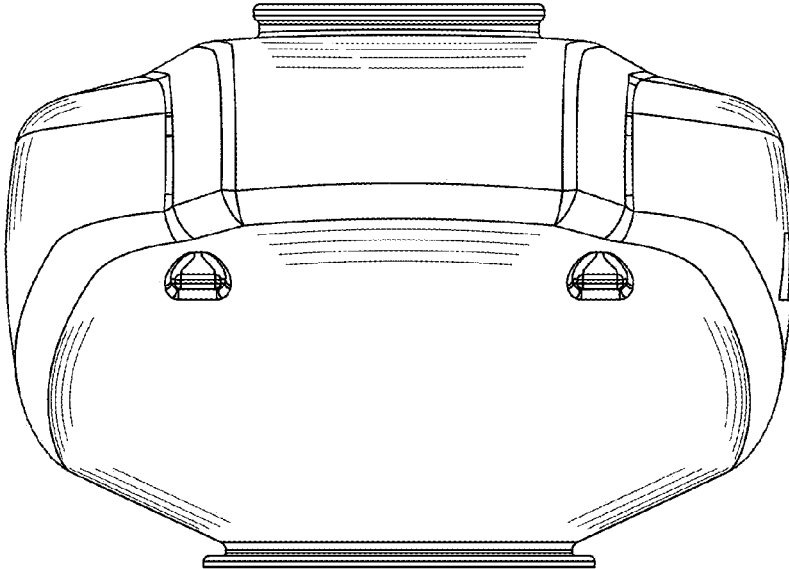
*Fig. 1*



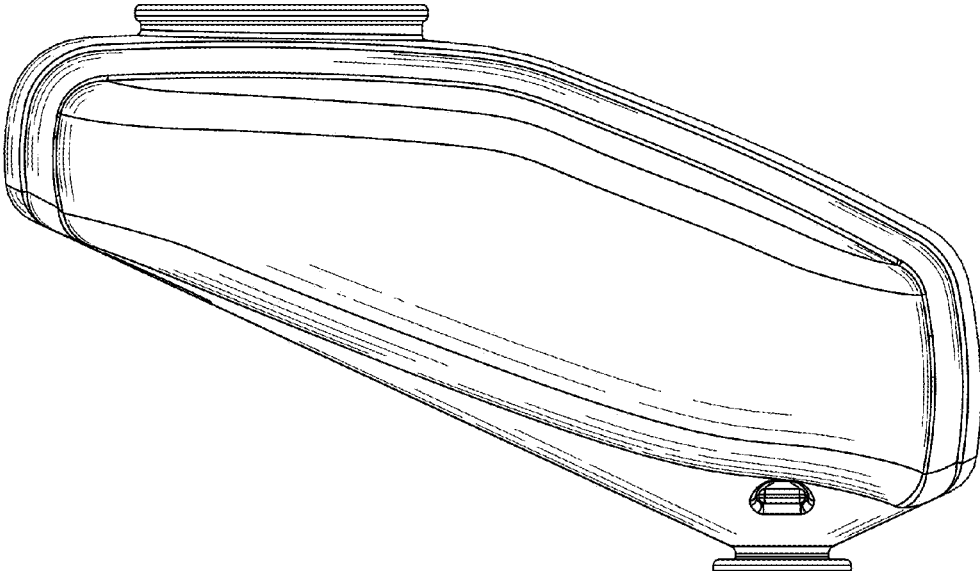
*Fig. 2*



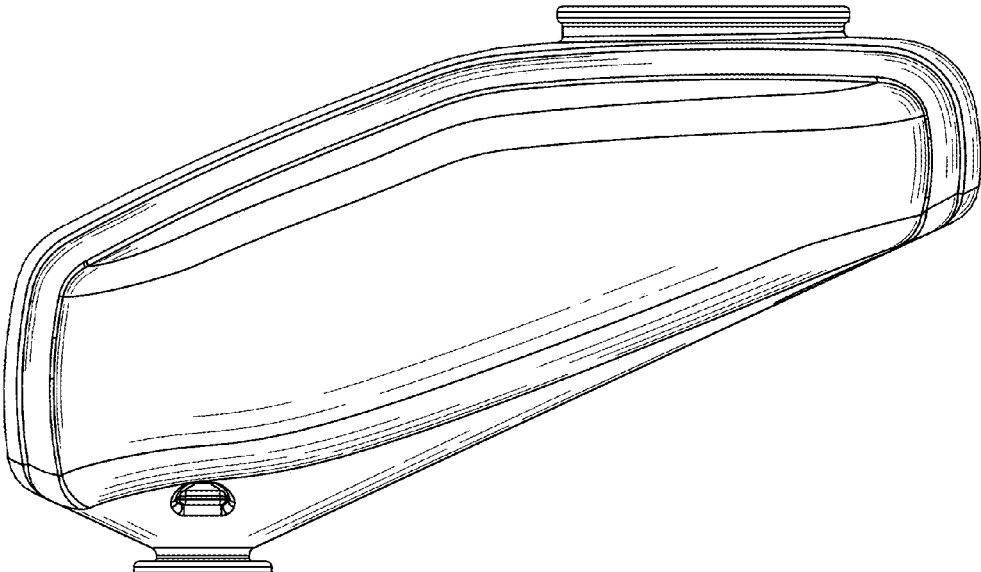
*Fig. 3*



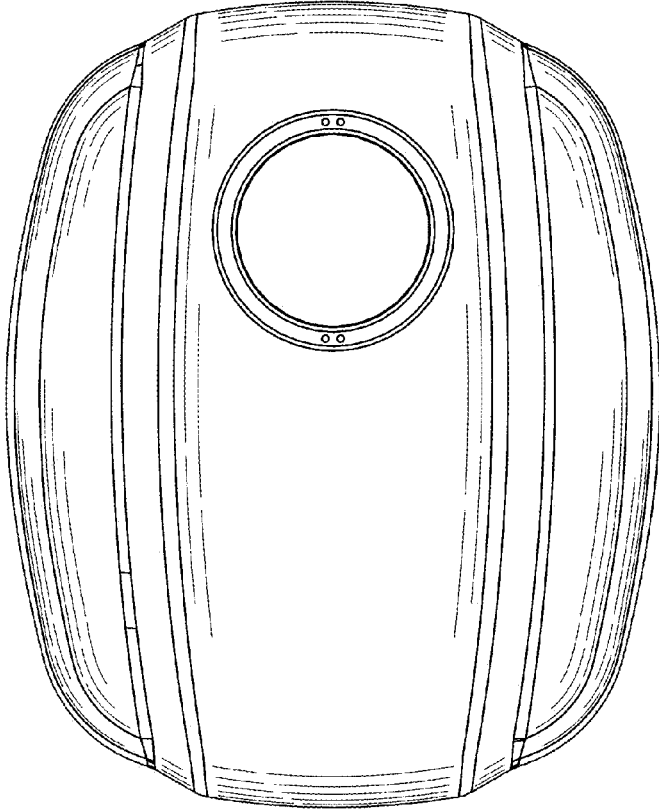
*Fig. 4*



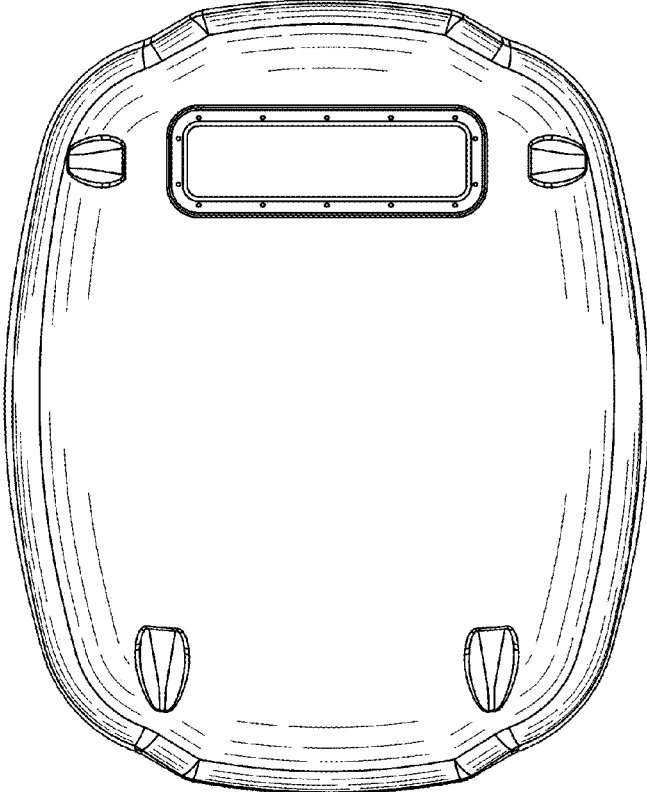
*Fig. 5*



*Fig. 6*



*Fig. 7*



*Fig. 8*