



US00D670742S

(12) **United States Design Patent**  
**Holmen**

(10) **Patent No.:** **US D670,742 S**

(45) **Date of Patent:** **\*\* \*Nov. 13, 2012**

(54) **GRAIN CART**

(75) Inventor: **Erik Allen Holmen**, Sarasota, FL (US)

(73) Assignee: **Kinze Manufacturing, Inc.**,  
Williamsburg, IA (US)

(\* ) Notice: This patent is subject to a terminal disclaimer.

(\*\* ) Term: **14 Years**

(21) Appl. No.: **29/398,203**

(22) Filed: **Jul. 27, 2011**

(51) **LOC (9) Cl.** ..... **15-03**

(52) **U.S. Cl.** ..... **D15/28; D15/17**

(58) **Field of Classification Search** ..... D15/10,  
D15/13, 21, 27, 28, 33; 298/24, 26-27, 8 H;  
221/185; 105/282.1; 280/163, 851; 56/202,  
56/219, 473.5; 222/608; 198/568

See application file for complete search history.

(56) **References Cited**

**U.S. PATENT DOCUMENTS**

|           |   |   |         |                   |       |             |
|-----------|---|---|---------|-------------------|-------|-------------|
| D198,327  | S | * | 6/1964  | Tyler             | ..... | D15/13      |
| 3,318,486 | A | * | 5/1967  | Felix             | ..... | 410/31      |
| 3,554,576 | A | * | 1/1971  | Parker            | ..... | 280/124.113 |
| 3,700,283 | A | * | 10/1972 | Birdsall          | ..... | 298/7       |
| 3,994,512 | A | * | 11/1976 | Parker et al.     | ..... | 280/687     |
| 3,997,215 | A | * | 12/1976 | Parker et al.     | ..... | 298/24      |
| D249,520  | S | * | 9/1978  | Van Mill          | ..... | D15/27      |
| 4,324,434 | A | * | 4/1982  | Friese            | ..... | 298/27      |
| 4,415,303 | A | * | 11/1983 | Westendorf et al. | ..... | 414/519     |
| D284,116  | S | * | 6/1986  | Linde             | ..... | D15/28      |

|           |   |   |         |                   |       |           |
|-----------|---|---|---------|-------------------|-------|-----------|
| D284,382  | S | * | 6/1986  | Black et al.      | ..... | D15/28    |
| 4,646,942 | A | * | 3/1987  | Kuhns             | ..... | 222/144.5 |
| D294,583  | S | * | 3/1988  | Blumer et al.     | ..... | D15/27    |
| D298,329  | S | * | 11/1988 | Todd et al.       | ..... | D15/33    |
| D306,864  | S | * | 3/1990  | Van Mill          | ..... | D15/27    |
| 5,100,281 | A | * | 3/1992  | Grieshop          | ..... | 414/526   |
| 5,340,265 | A | * | 8/1994  | Grieshop          | ..... | 414/526   |
| D367,071  | S | * | 2/1996  | McKay             | ..... | D15/27    |
| 5,516,253 | A | * | 5/1996  | Linscheid et al.  | ..... | 414/519   |
| D436,363  | S | * | 1/2001  | Strong et al.     | ..... | D15/10    |
| D520,524  | S | * | 5/2006  | Sandler et al.    | ..... | D15/13    |
| D544,886  | S | * | 6/2007  | Pedracini et al.  | ..... | D15/26    |
| D569,877  | S | * | 5/2008  | Tyler             | ..... | D15/13    |
| D599,825  | S | * | 9/2009  | Schneider et al.  | ..... | D15/22    |
| D599,830  | S | * | 9/2009  | Jacobsthal et al. | ..... | D15/33    |
| D606,565  | S | * | 12/2009 | Hickenbottom      | ..... | D15/28    |

\* cited by examiner

*Primary Examiner* — Mark Goodwin

(74) *Attorney, Agent, or Firm* — Jon B. Sievers

(57) **CLAIM**

I claim the ornamental design for a grain cart, substantially as shown and described.

**DESCRIPTION**

FIG. 1 is a right rear perspective view showing an exemplary design of my grain cart;

FIG. 2 is a right side view thereof;

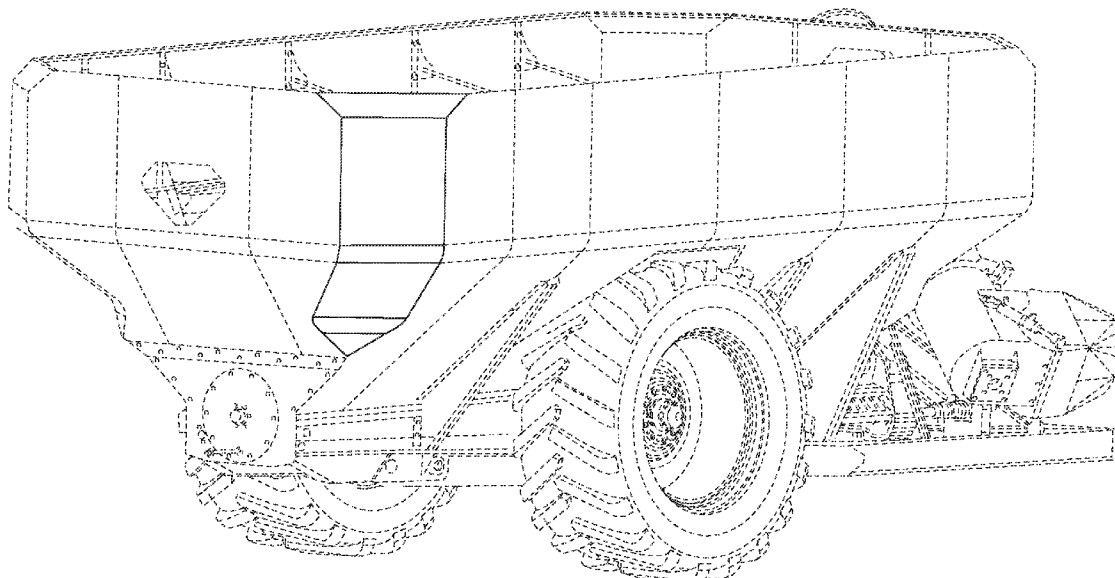
FIG. 3 is a rear view thereof;

FIG. 4 is a top view thereof; and,

FIG. 5 is a bottom view thereof.

The portions of the grain cart and any environment shown in broken lines are for illustrative purposes only and form no part of the claimed design.

**1 Claim, 3 Drawing Sheets**



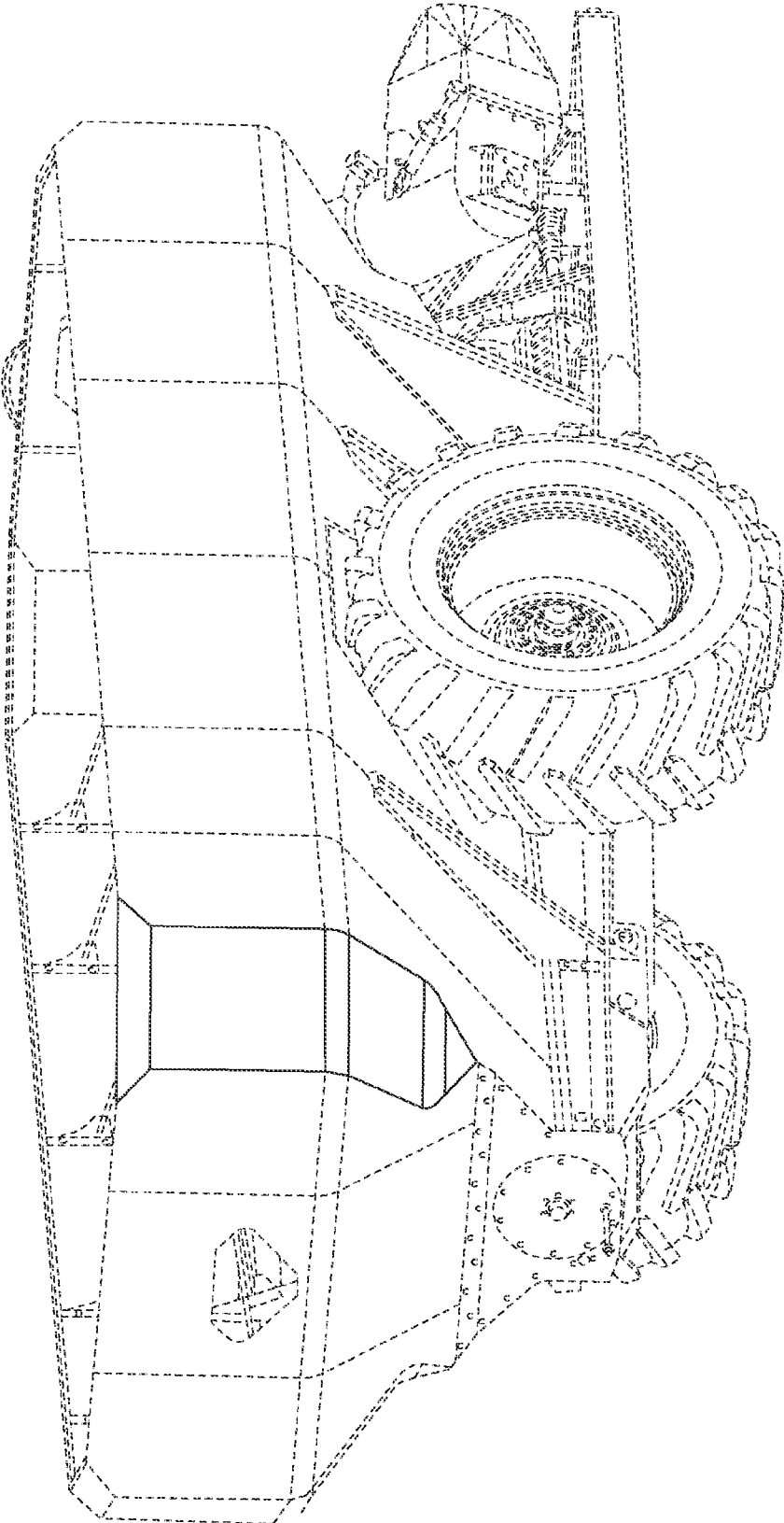


FIG. 1

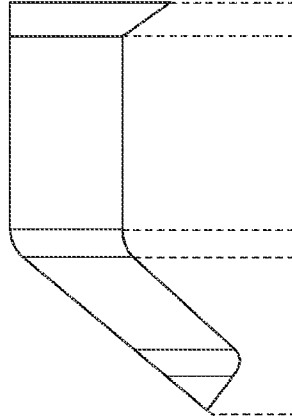


FIG. 2

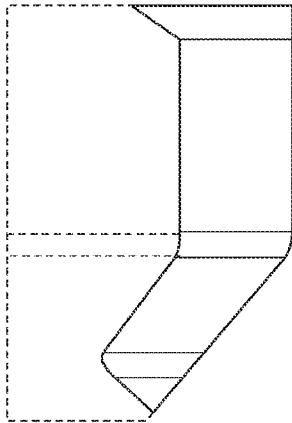


FIG. 3

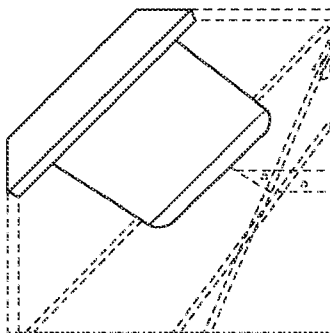


FIG. 4

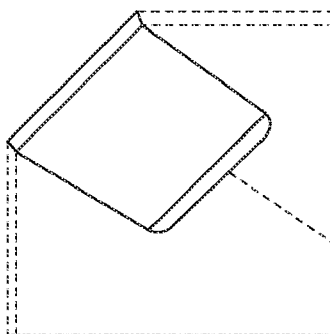


FIG. 5